

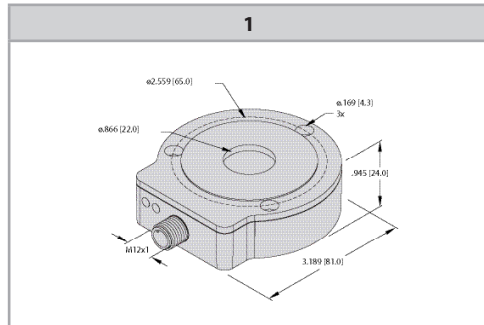
## Rotary Inductive Sensors, IO-Link, QR24

Part Number	ID Number	Measuring Range	Resolution (16bit)	Ambient Temperature	Operating Voltage	IO-Link Data Telegram	Dimensional Drawing	Wiring Diagram
Ri360P0-QR24M0-IOLX2-H1141	1590975	0-360°	≤ 0.006°	-13 to +185 °F (-25 to +85 °C)	15-30 VDC	32-bit	1	1
Ri360P0-EQR24M0-IOLX2-H1141	1590978	0-360°	≤ 0.006°	-13 to +185 °F (-25 to +85 °C)	15-30 VDC	32-bit	1	1

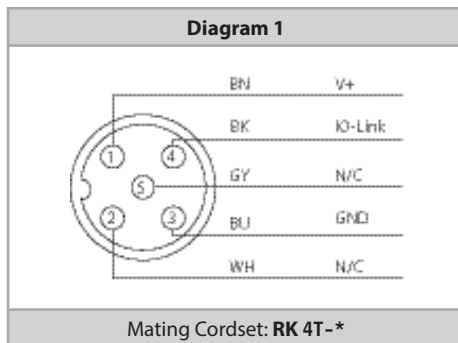
### Technical Specifications:

Linearity deviation:	≤ 0.05% of full scale	Housing:	QR24
Repeat Accuracy	≤ 0.01% of full scale	Dimensions:	81 x 78 x 24 mm
Temperature drift:	≤ ±0.003%/K	Housing material (QR24):	metal/plastic, ZnAlCu1/PBT-GF30-V0
Residual ripple:	≤ 10% Uss	Housing material (EQR24):	stainless steel/plastic V4A (1.4404) PA12-GF30
Rated insulation voltage:	≤ 0.5 kV	Shaft type:	hollow shaft
IO-Link Specification:	Version 1.1	Electrical connection:	M12 x 1
IO-Link Telegram	16-bit single-turn 13-bit multiturn, 3 error bits	Vibration resistance:	55 Hz (1 mm)
Sampling rate:	1000 Hz	Shock resistance:	40 g, 6 ms (continuous)
Current consumption:	<50 mA	Degree of protection:	IP68/IP69K
		Power-on indication:	LED, green
		Measuring range indication:	LED, yellow, yellow flashing

### Dimensions:



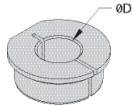
### Wiring Diagrams:



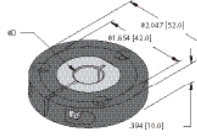
\* Length in meters.

**Accessories, QR24**

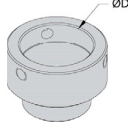
**Reducing Bushings and Shaft Adapters**

Dimension Drawing	Type	Description
	RA1-QR24 <sup>1)</sup> (20 mm)	Reducing bushing 20 mm
	RA2-QR24 (14 mm)	Reducing bushing 14 mm
	RA3-QR24 <sup>1)</sup> (12 mm)	Reducing bushing 12 mm
	RA4-QR24 <sup>1)</sup> (10 mm)	Reducing bushing 10 mm
	RA5-QR24 (6 mm)	Reducing bushing 6 mm
	RA6-QR24 (3/8 in)	Reducing bushing 3/8"
	RA7-QR24 (1/4 in)	Reducing bushing 1/4"
	RA8-QR24 <sup>1)</sup> (BP)	Blanking plug
	RA9-QR24 <sup>1)</sup> (1/2 in)	Reducing bushing 1/2"
	RA10-QR24 <sup>1)</sup> (5/8 in)	Reducing bushing 5/8"
	RA11-QR24 <sup>1)</sup> (3/4 in)	Reducing bushing 3/4"

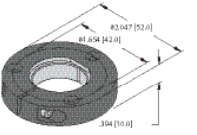
**Ready-to-Install Positioning Elements**

Dimension Drawing	Type	Description
	P1-Ri-QR24 <sup>1)</sup> (20 mm)	Positioning element with hollow shaft 20 mm
	P2-Ri-QR24 (14 mm)	Positioning element with hollow shaft 14 mm
	P3-Ri-QR24 <sup>1)</sup> (12 mm)	Positioning element with hollow shaft 12 mm
	P4-Ri-QR24 <sup>1)</sup> (10 mm)	Positioning element with hollow shaft 10 mm
	P5-Ri-QR24 (6 mm)	Positioning element with hollow shaft 6 mm
	P6-Ri-QR24 (3/8 in)	Positioning element with hollow shaft 3/8"
	P7-Ri-QR24 (1/4 in)	Positioning element with hollow shaft 1/4"
	P8-Ri-QR24 <sup>1)</sup> (BP)	Positioning element with blanking plug
	P9-Ri-QR24 <sup>1)</sup> (1/2 in)	Positioning element with hollow shaft 1/2"
	P10-Ri-QR24 <sup>1)</sup> (5/8 in)	Positioning element with hollow shaft 5/8"
	P11-Ri-QR24 <sup>1)</sup> (3/4 in)	Positioning element with hollow shaft 3/4"

<sup>1)</sup> Items offered with stainless steel components (EQR24). Contact factory for more options.

Dimension Drawing	Type	Description
	RAA6-QR24 (1 in)	Shaft Adapter 1"
	RAA7-QR24 (1 1/8 in)	Shaft Adapter 1 1/8"
	RAA8-QR24 (1 1/4 in)	Shaft Adapter 1 1/4"
	RAB1-QR24 (1 1/2 in)	Shaft Adapter 1 1/2"

Other shaft adapter sizes available upon request

Dimension Drawing	Type	Description
	PE1-QR24 <sup>1)</sup>	Base unit for positioning element

**Accessories, QR24**

**Protection Ring and Shielding Plate**

Dimension Drawing	Type	Description	Dimension Drawing	Type	Description
	SP1-QR24	Shield Ø 74 mm, aluminium		M1-QR24 <sup>2)</sup>	Aluminium ring
	SP2-QR24	Shield Ø 74 mm with bore for shaft guidance, aluminium		M2-QR24	M1-QR24+SP1-QR24
	SP3-QR24	Shield Ø 52 mm, aluminium		M3-QR24	M1-QR24+SP2-QR24
				M4-QR24	M1-QR24+SP3-QR24

<sup>2)</sup> Also offered in plastic (M5-QR24).

**Spacing Tool**

Dimension Drawing	Type	Description
	MT-QR24	Mounting aid, already included in the delivery scope of the sensor